

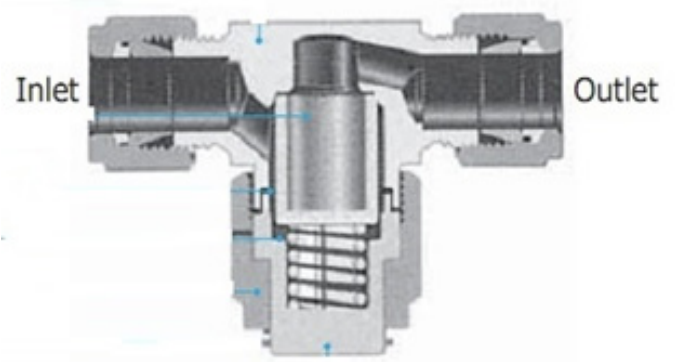
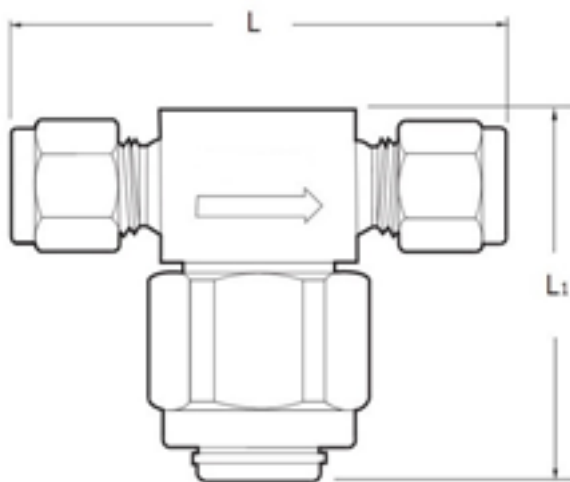
## PRODUKTBLAD

### Smutsfilter med skärringsanslutning



#### V76 Series Tee Filter CNG Certifications

Certificates	ECER110	ANSI / AGA NGV 3.1-1995 CGA NGV 12.3-M95	ISO 15500
Certificate No	110R-000196	2010-REPORT-032 (01)	2010-REPORT-031(00)
Classification	Class 0	CNG-Filter	CNG-Filter
Temperature	-40°C to 120°C (-40°F to 250°F)	-40°C to 121°C (-40°F to 250°F)	-40°C to 121°C (-40°F to 250°F)
Working Pressure	200 bar @ 120°C	273 bar @ 121°C	273 bar @ 121°C



10 mm klämringsskoppling

L= 72mm

L1 = 56mm

Filterinsats 140my .

Materialkvalite hus :SS316/A276

Artikelnummer : 4290080